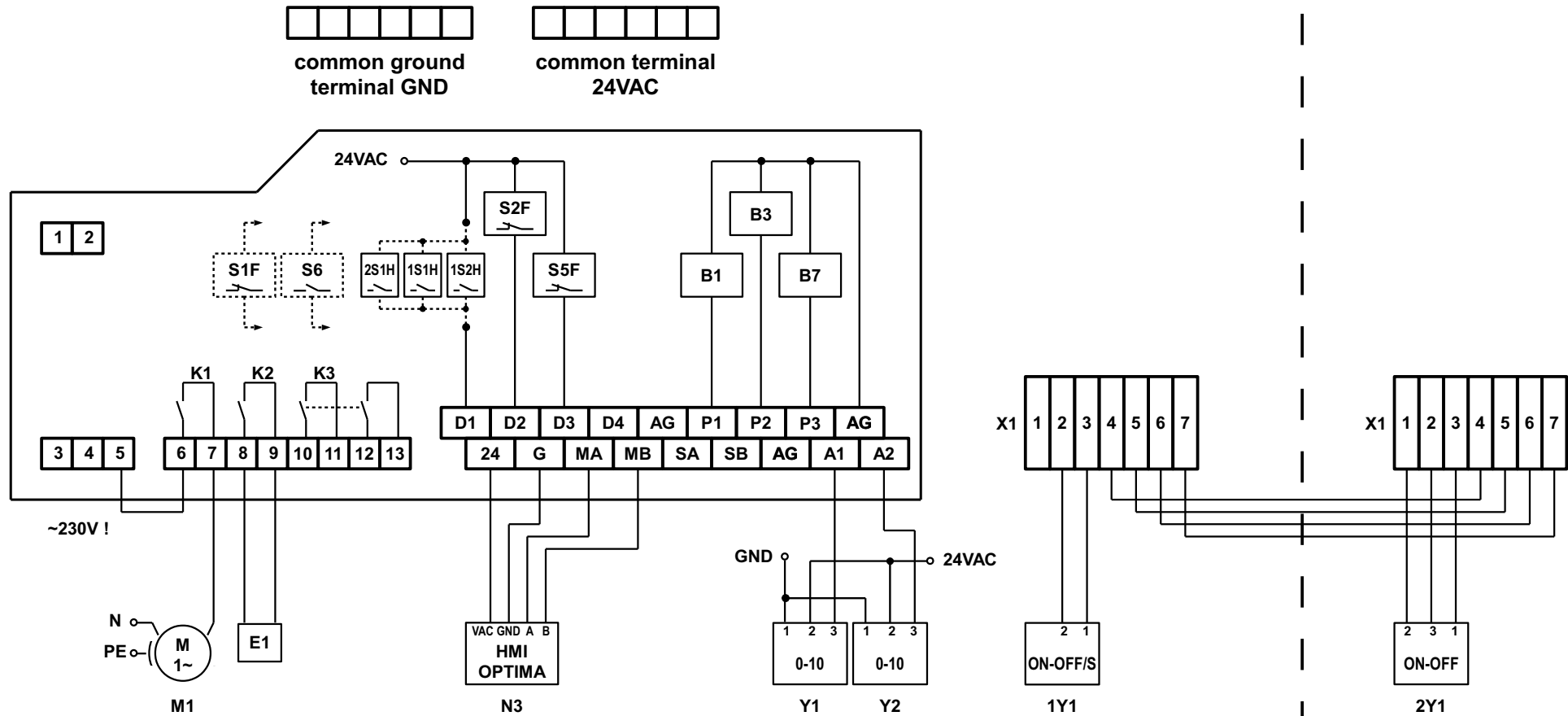


B

APPLICATION: ND5-S / ND5-R

NVS 23 CG OPTIMA SUP
NVS 39 CG OPTIMA SUP
NVS 65 CG OPTIMA SUP
NVS 80 CG OPTIMA SUP

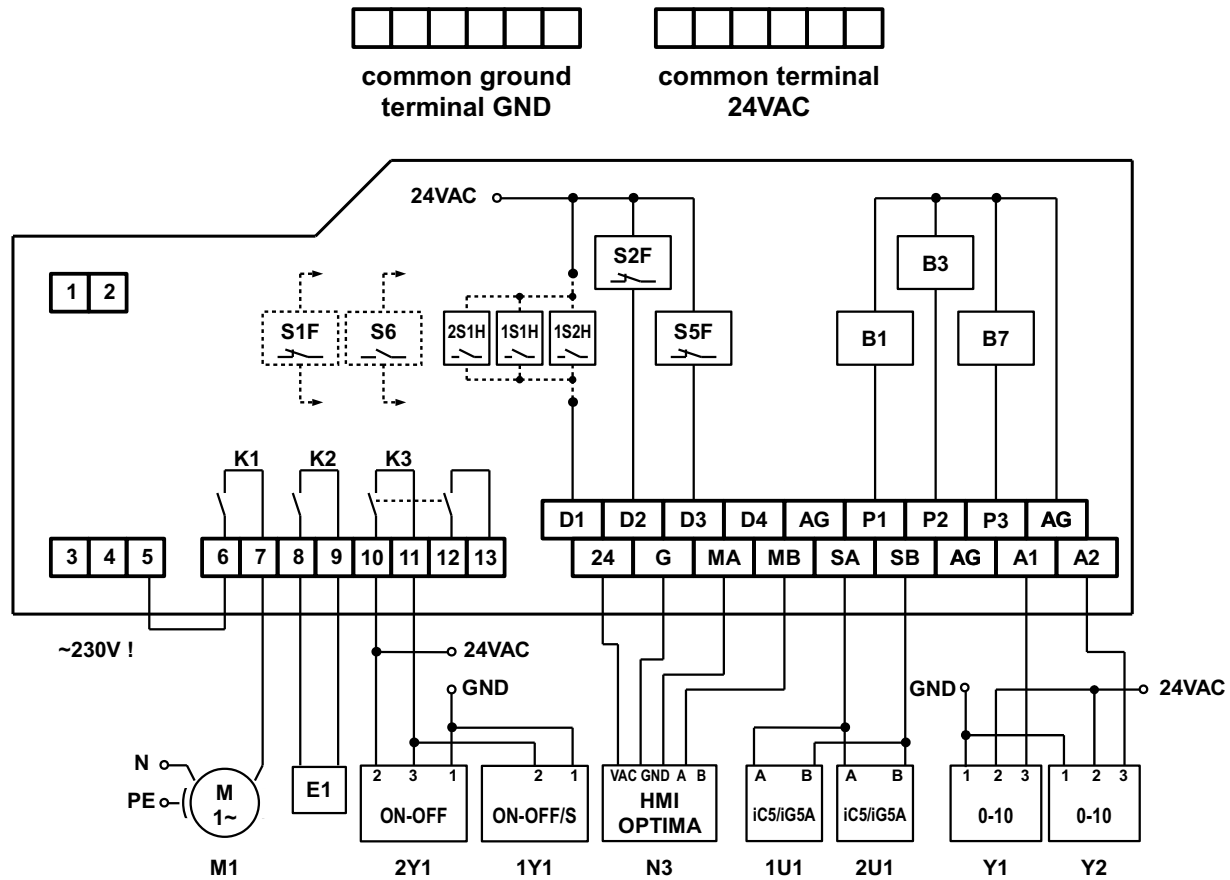
NVS 23 CG 0-2
NVS 39 CG 0-2
NVS 65 CG 0-2
NVS 80 CG 0-2



B

APPLICATION: ND5-S / ND5-R

VS 10-75 CG OPTIMA
VS 40-150 CG OPTIMA SUP-EXH



B

VS 10-75 CG OPTIMA
VS 40-150 CG OPTIMA SUP
VS 40-150 CG OPTIMA SUP-EXH

RS485 / Modbus connection details

